



PERMIT TO CONSTRUCT
Onsite Wastewater System

File Nbr **2019090031**
County: Saluda

Name: AMERICAN LAND HOLDINGS LLC

Type Facility: HOUSE

Subdivision: PALMETTO POINTE

Block: Lot: 50

Address: 59 MIDDLETON DR
LUGOFF, SC 29078

Site: LOT 50
, SC

Program Code: 360

System Code: 815

TM#:

Water Supply: PUBLIC

PERMIT TO CONSTRUCT SYSTEM SPECIFICATIONS

Daily Flow (gpd): 360

LTAR: .25

Tank Sizes (gal): Septic Tank: 1000 Pump Chamber: 1000

Trenches: Length (ft): 360 Width (in): 36 Max. Depth (in): 25

Min Pump Capacity: 10 gpm at 20

Grease Trap:

Agg. Depth (in):

ft. of Head

SPECIAL INSTRUCTIONS/CONDITIONS

THIS PERMIT IS SITE SPECIFIC. ANY CHANGES TO THE SYSTEM MUST BE APPROVED BY DHEC. ALTERNATIVE TRENCH PRODUCTS APPROVED UNDER STATE RULES AND REGULATIONS MAY BE SUBSTITUTED. ANY UNAPPROVED CHANGES WILL VOID THIS PERMIT.

See Attached Page...

PERMIT TO CONSTRUCT SYSTEM DIAGRAM

(NTS)

*System design by
Land Resource Management Soil
Classifier Walker Ferguson
828-231-1663
see Attached supplemental
diagram*

Issued/Revised By: 

Date: 11/13/19



APPLICATION SUPPLEMENTAL FORM

Onsite Wastewater System

File Nbr: **2019090031**

County: **Saluda**

Name: **AMERICAN LAND HOLDINGS LLC**

Address:

Program Code: **360**

Type Facility: **HOUSE**

**59 MIDDLETON DR
LUGOFF, SC 29078**

TM#:

Subdivision **PALMETTO POINTE**

Site: **LOT 50
, SC**

Water Supply: **PUBLIC**

Block: Lot: **50**



LAND RESOURCE MANAGEMENT

Land Evaluation by Land Experts

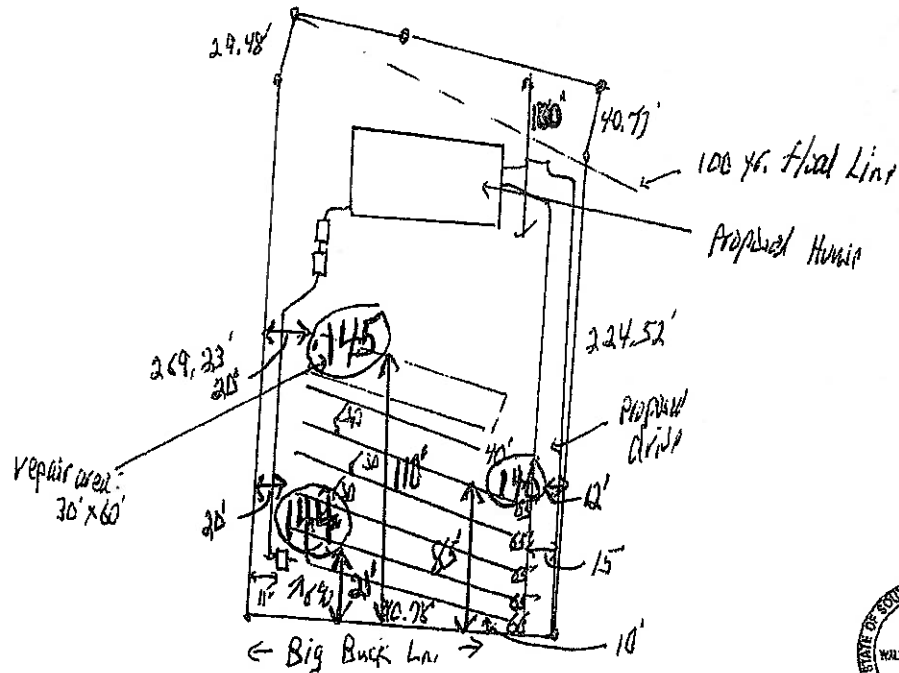
SYSTEM SPECIFICATIONS

Est. Daily Flow (in GPD) 360 LTAR 25 Tank Size (Gallons) 1000 Pump Chamber Size (Gallons) 1000 Min. Pump Capacity gpm @ feet of head ZSS (in inches)

Water table encountered? Yes No ✓

Trenches

Total Number 6 Length (in feet) 360 Width (in inches) 36 Max. Depth (in inches) 25 aggregate mtl. Aggregate Depth Alternative product 5' x 12" Quikrete Infiltrator - 12"



Palmetto Pointe
Lot # 50