



**PERMIT TO CONSTRUCT
Onsite Wastewater System**

File Nbr: **2019090028**
County: Saluda

Name: AMERICAN LAND HOLDINGS LLC

Program Code: 360

Type Facility: HOUSE

Address: 59 MIDDLETON DR
LUGOFF, SC 29078

System Code: 815

Subdivision: PALMETTO POINTE

Site: LOT 48
SC

TM#:

Block: Lot: 48

Water Supply: PUBLIC

PERMIT TO CONSTRUCT SYSTEM SPECIFICATIONS

Daily Flow (gpd): 360

Tank Sizes (gal): Septic Tank: 1000 Pump Chamber: 1000

Grease Trap:

LTAR: 30

Trenches: Length (ft): 300 Width (in): 36 Max. Depth (in): 28

Agg. Depth (in):

Min Pump Capacity: 10 gpm at 20

ft. of Head

SPECIAL INSTRUCTIONS/CONDITIONS

THIS PERMIT IS SITE SPECIFIC. ANY CHANGES TO THE SYSTEM MUST BE APPROVED BY DHEC. ALTERNATIVE TRENCH PRODUCTS APPROVED UNDER STATE RULES AND REGULATIONS MAY BE SUBSTITUTED. ANY UNAPPROVED CHANGES WILL VOID THIS PERMIT

See Attached Page...

PERMIT TO CONSTRUCT SYSTEM DIAGRAM

(NTS)

System design by
Land Resource Management soil
classifier Walker Ferguson
828-231-1663
see Attached supplemental
diagram

Issued/Revised By: 

Date: 11/13/19

DHEC 1781 (01/2014)

This Permit is Appealable Under the Administrative Procedures Act.
There may be an Additional Fee for Changes in this Permit that Require a Site Reevaluation.



APPLICATION SUPPLEMENTAL FORM

Onsite Wastewater System

File Nbr: 2019090028

County: Saluda

Name: AMERICAN LAND HOLDINGS LLC

Address:

59 MIDDLETON DR
LUGOFF, SC 29078

Program Code: 360

Type Facility: HOUSE

TM#:

Subdivision PALMETTO POINTE

Site: LOT 48

Water Supply: PUBLIC

Block: Lot: 48

SC



LAND RESOURCE MANAGEMENT

Land Evaluation by Land Experts

SYSTEM SPECIFICATIONS

Est. Daily Flow (in GPD) 360 LTAR 3.5 Tank Size (Gallons) 1000 Pump Chamber

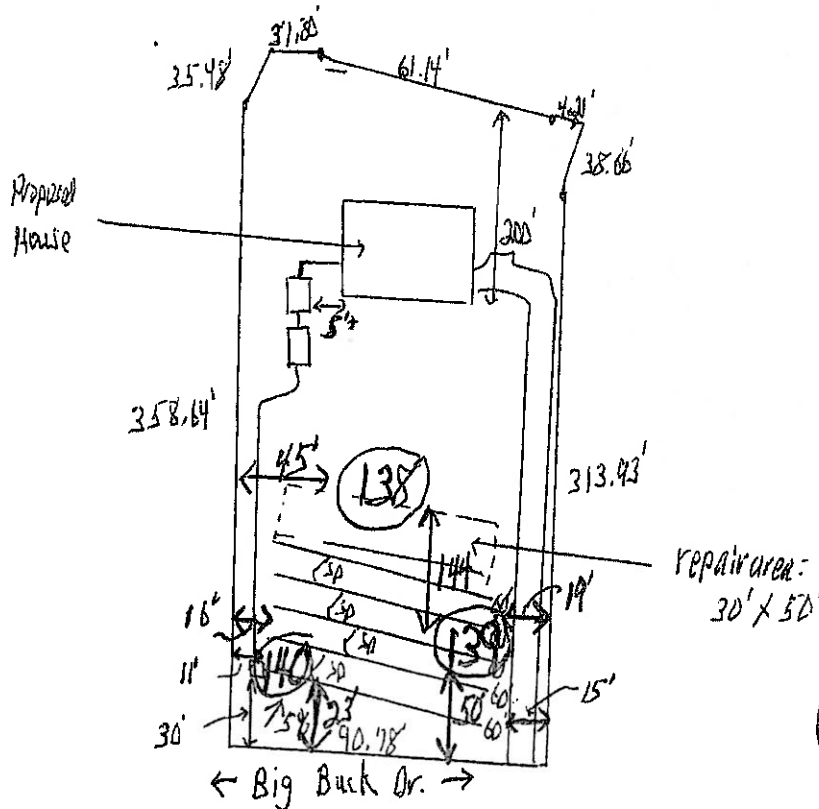
Size (Gallons) 1000 Min. Pump Capacity gpm @ feet of head ZSS (inches)

Water table encountered? Yes No ✓

Trenches

Total Number 5 Length (in feet) 300 Width (in inches) 36 Max. Depth (in inches) 24" aggregate

mtl. Aggregate Depth Alternative product Std: QuikY Infiltrator - 12"



Palmetto Pointe
Lot # 48