



**PERMIT TO CONSTRUCT
Onsite Wastewater System**

File Nbr **2019090030**
County: **Saluda**

Name: AMERICAN LAND HOLDINGS LLC

Type Facility: HOUSE

Subdivision: PALMETTO POINTE

Block: Lot: 47

Address: 59 MIDDLETON DR
LUGOFF, SC 29078

Site: LOT 47
SC

Program Code: 360

System Code: 815

TM#:

Water Supply: PUBLIC

PERMIT TO CONSTRUCT SYSTEM SPECIFICATIONS

Daily Flow (gpd): 360

LTAR: .30

Tank Sizes (gal): Septic Tank: 1000 Pump Chamber: 1000 Grease Trap:
Trenches: Length (ft): 300 Width (in): 36 Max. Depth (in): 28 Agg. Depth (in):
Min Pump Capacity: 10 gpm at 20 ft. of Head

SPECIAL INSTRUCTIONS/CONDITIONS

THIS PERMIT IS SITE SPECIFIC ANY CHANGES TO THE SYSTEM MUST BE APPROVED BY DHEC. ALTERNATIVE TRENCH PRODUCTS APPROVED UNDER STATE RULES AND REGULATIONS MAY BE SUBSTITUTED ANY UNAPPROVED CHANGES WILL VOID THIS PERMIT

See Attached Page...

PERMIT TO CONSTRUCT SYSTEM DIAGRAM

(NTS)

*system design by
Land Resource Management soil
classifier walker ferguson
828-231-1663
see Attached supplemental
diagram*

Issued/Revised By: *[Signature]*

Date: 11/13/19



APPLICATION SUPPLEMENTAL FORM

File Nbr: **2019090030**

County: **Saluda**

Onsite Wastewater System

Name: **AMERICAN LAND HOLDINGS LLC**

Address:

**59 MIDDLETON DR
LUGOFF, SC 29078**

Program Code: **360**

Type Facility: **HOUSE**

TM#:

Subdivision: **PALMETTO POINTE**

Site: **LOT 47**

Water Supply: **PUBLIC**

Block: Lot: **47**

SC



LAND RESOURCE MANAGEMENT

Land Evaluation by Land Experts

SYSTEM SPECIFICATIONS

Est. Daily Flow (in GPD) 360 LTAR .3, Tank Size (Gallons) 1000 Pump Chamber

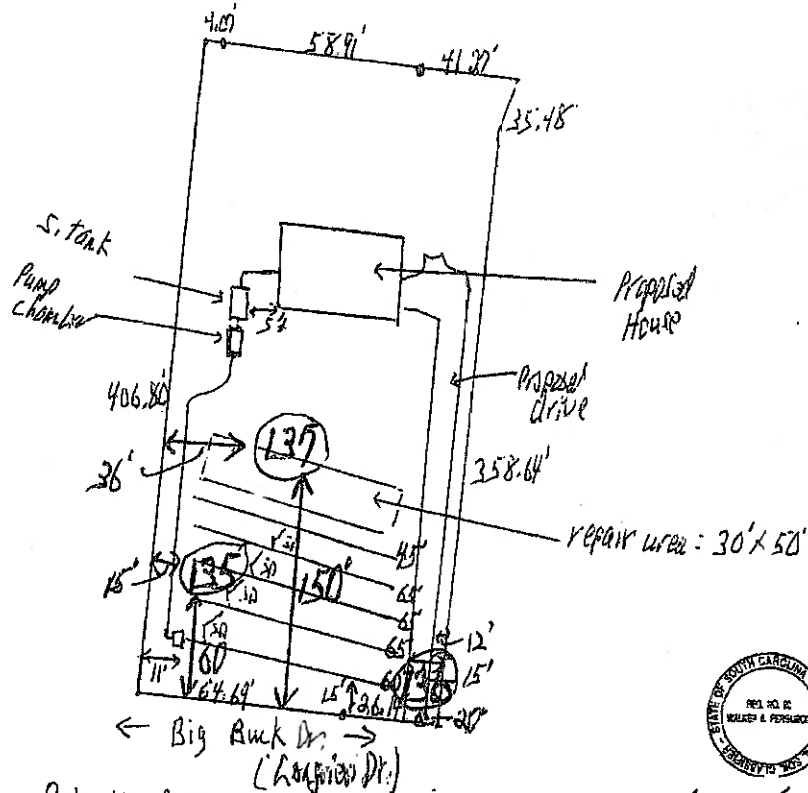
Size (Gallons) 1000 Min. Pump Capacity gpm @ feet of head ZSS (in inches)

Water table encountered? Yes No

Trenches

Total Number 5 Length (in feet) 300 Width (in inches) 36 Max. Depth (in inches) 28 aggregate

mti. Aggregate Depth Alternative product Side Quik Infiltrator - 12"



Palmetto Pointe
Lot 47