



**PERMIT TO CONSTRUCT
Onsite Wastewater System**

File Nbr: **2019090029**
County: Saluda

Name: AMERICAN LAND HOLDINGS LLC

Type Facility: HOUSE

Subdivision: PALMETTO POINTE

Block: Lot: 46

Address: 59 MIDDLETON DR
LUGOFF, SC 29078

Site: LOT 46
. SC

Program Code: 362

System Code: 271

TM#:

Water Supply: PUBLIC

PERMIT TO CONSTRUCT SYSTEM SPECIFICATIONS

Daily Flow (gpd): 360

LTAR: .30

Tank Sizes (gal): Septic Tank: 1000 Pump Chamber: 1000

Trenches: Length (ft): 480 Width (in): 48 Max. Depth (in): 21

Min Pump Capacity: 10 gpm at 20

Grease Trap:

Agg. Depth (in): 6

ft. of Head

SPECIAL INSTRUCTIONS/CONDITIONS

THIS PERMIT IS SITE SPECIFIC ANY CHANGES TO THE SYSTEM MUST BE APPROVED BY DHEC. ALTERNATIVE TRENCH PRODUCTS APPROVED UNDER STATE RULES AND REGULATIONS MAY BE SUBSTITUTED. ANY UNAPPROVED CHANGES WILL VOID THIS PERMIT.

See Attached Page...

PERMIT TO CONSTRUCT SYSTEM DIAGRAM

(NTS)

*System design by
Land Resource Management Soil
Classifier Walker Ferguson
828-231-1663
See Attached supplemental
diagram*

Issued/Revised By: *[Signature]*

Date: 11/13/19



APPLICATION SUPPLEMENTAL FORM

Onsite Wastewater System

File Nbr: **2019090029**

County: Saluda

Name: AMERICAN LAND HOLDINGS LLC

Address:

Program Code: 362

Type Facility: HOUSE

59 MIDDLETON DR
LUGOFF, SC 29078

TM#:

Subdivision PALMETTO POINTE

Site: LOT 46
, SC

Water Supply: PUBLIC

Block: Lot: 46

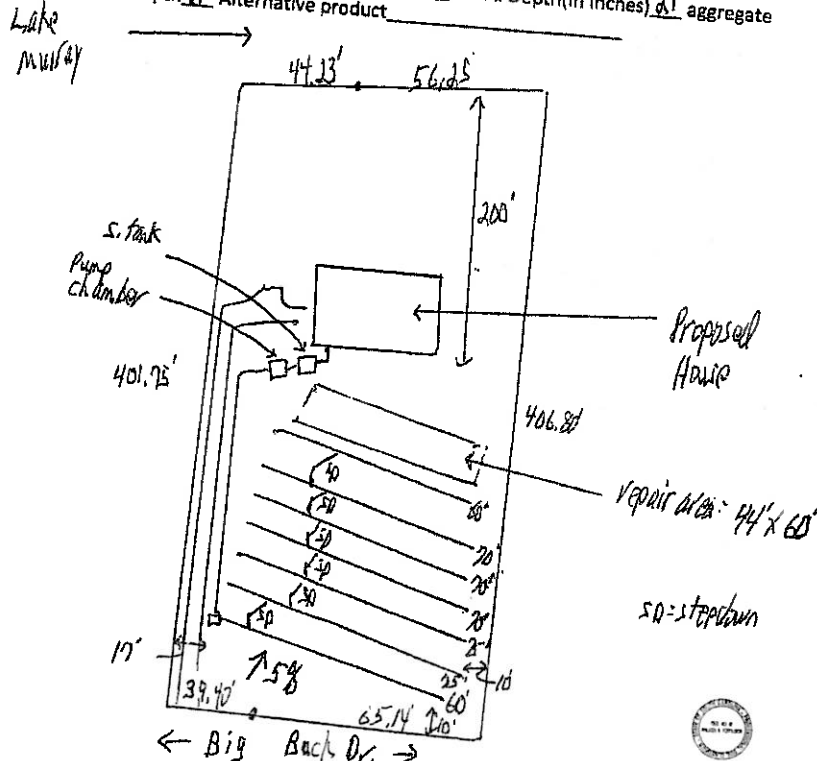


LAND RESOURCE MANAGEMENT

Land Evaluation by Land Experts

SYSTEM SPECIFICATIONS

Est. Daily Flow (in GPD) 360 LTAR 3 Tank Size (Gallons) 1000 Pump Chamber Size (Gallons) 1000 Min. Pump Capacity gpm @ feet of head ZSS (in inches)
 Water table encountered? Yes No ✓
 Trenches
 Total Number 7 Length (in feet) 480 Width (in inches) 48 Max. Depth (in inches) 21 aggregate
 mt. rock Aggregate Depth 6 Alternative product



Palmetto Pointe
Lot # 46

