



**PERMIT TO CONSTRUCT
Onsite Wastewater System**

File Nbr: **2019090017**
County: **Saluda**

Name: AMERICAN LAND HOLDINGS LLC

Program Code: 360

Type Facility: HOUSE

Address: 59 MIDDLETON DR
LUGOFF, SC 29078

System Code: 815

Subdivision: PALMETTO POINTE

Site: LOT 34

TM#:

Block: Lot: 34

SC

Water Supply: PUBLIC

PERMIT TO CONSTRUCT SYSTEM SPECIFICATIONS

Daily Flow (gpd): 360

Tank Sizes (gal): Septic Tank: 1000

Pump Chamber: 1000

Grease Trap:

LTAR: .25

Trenches: Length (ft): 360

Width (in): 36

Max. Depth (in): 29

Agg. Depth (in):

Min Pump Capacity: 10

gpm at 20

ft. of Head

SPECIAL INSTRUCTIONS/CONDITIONS

THIS PERMIT IS SITE SPECIFIC ANY CHANGES TO THE SYSTEM MUST BE APPROVED BY DHEC. ALTERNATIVE TRENCH PRODUCTS APPROVED UNDER STATE RULES AND REGULATIONS MAY BE SUBSTITUTED. ANY UNAPPROVED CHANGES WILL VOID THIS PERMIT

See Attached Page...

PERMIT TO CONSTRUCT SYSTEM DIAGRAM

(NTS)

*system design by
Land Resource Management soil
classifier walker ferguson
828-231-1663
see Attached supplemental
diagram*

Issued/Revised By:

Date:

10/29/19

DHEC 1781 (01/2014)

This Permit is Appealable Under the Administrative Procedures Act.
There may be an Additional Fee for Changes in this Permit that Require a Site Reevaluation.



APPLICATION SUPPLEMENTAL FORM

Onsite Wastewater System

File Nbr: **2019090017**

County: **Saluda**

Name: **AMERICAN LAND HOLDINGS LLC**

Address:

Program Code: **360**

Type Facility: **HOUSE**

**59 MIDDLETON DR
LUGOFF, SC 29078**

TM#:

Subdivision **PALMETTO POINTE**

Site: **LOT 34
, SC**

Water Supply: **PUBLIC**

Block:

Lot: **34**



LAND RESOURCE MANAGEMENT

Land Evaluation by Land Experts

SYSTEM SPECIFICATIONS

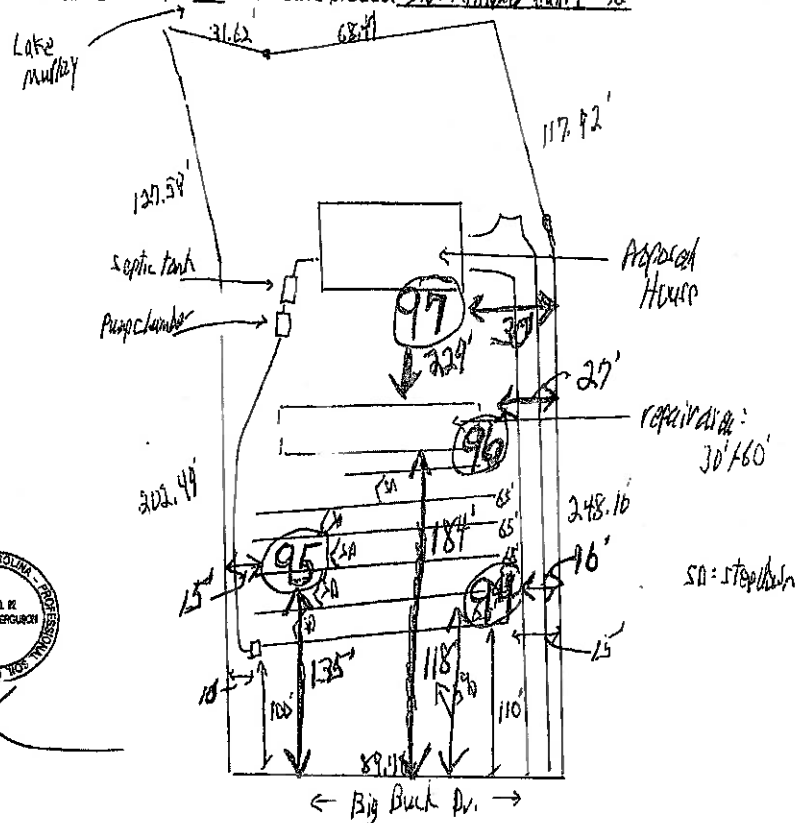
Est. Daily Flow(in GPD) 360 LTAR 2.5 Tank Size(Gallons) 1000 Pump Chamber

Size(Gallons) 1000 Min. Pump Capacity gpm@ feet of head ZSS(in Inches)

Water table encountered? Yes No

Trenches

Total Number 6 Length(in feet) 360 Width(in inches) 36 Max. Depth(in inches) 39 aggregate
mtl. Aggregate Depth Alternative product std. infiltrator units 4-12



W. Walker

Palmetto Pointe
Lot #34

KWM