



**PERMIT TO CONSTRUCT
Onsite Wastewater System**

File Nbr: **2019090018**
County: **Saluda**

Name: AMERICAN LAND HOLDINGS LLC

Program Code: 360

Type Facility: HOUSE

Address: 59 MIDDLETON DR
LUGOFF, SC 29078

System Code: 815

Subdivision: PALMETTO POINTE

Site: LOT 27

TM#:

Block: Lot: 27

, SC

Water Supply: PUBLIC

PERMIT TO CONSTRUCT SYSTEM SPECIFICATIONS

Daily Flow (gpd): 360

Tank Sizes (gal): Septic Tank: 1000

Pump Chamber: 1000

Grease Trap:

LTAR: .25

Trenches: Length (ft): 360

Width (in): 36

Max. Depth (in): 28

Agg. Depth (in):

Min Pump Capacity: 10

gpm at 20

ft. of Head

SPECIAL INSTRUCTIONS/CONDITIONS

THIS PERMIT IS SITE SPECIFIC. ANY CHANGES TO THE SYSTEM MUST BE APPROVED BY DHEC. ALTERNATIVE TRENCH PRODUCTS APPROVED UNDER STATE RULES AND REGULATIONS MAY BE SUBSTITUTED. ANY UNAPPROVED CHANGES WILL VOID THIS PERMIT.

See Attached Page...

PERMIT TO CONSTRUCT SYSTEM DIAGRAM

(NTS)

*system design by
Land Resource Management soil
classifier walker ferguson
828-231-1663
see Attached supplemental
diagram*

Issued/Revised By:

Date:

10/29/19



APPLICATION SUPPLEMENTAL FORM

Onsite Wastewater System

File Nbr: **2019090018**

County: **Saluda**

Name: **AMERICAN LAND HOLDINGS LLC**

Address:

**59 MIDDLETON DR
LUGOFF, SC 29078**

Program Code: **360**

Type Facility: **HOUSE**

TM#:

Subdivision: **PALMETTO POINTE**

Site: **LOT 27
, SC**

Water Supply: **PUBLIC**

Block:

Lot: **27**



LAND RESOURCE MANAGEMENT

Land Evaluation by Land Experts

SYSTEM SPECIFICATIONS

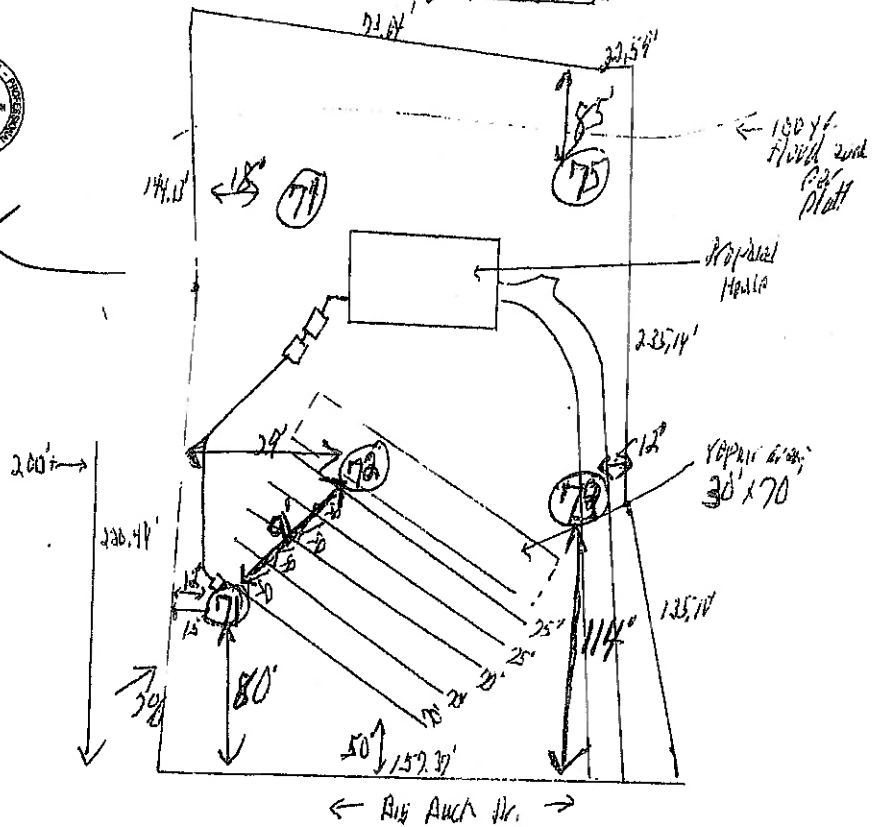
Est. Daily Flow(in GPD) 360 LTAR 35 Tank Size(Gallons) 1000 Pump Chamber
Size(Gallons) 1000 Min. Pump Capacity gpm@ feet of head ZSS(in inches)

Water table encountered? Yes No

Trenches
Total Number 5 Length(in feet) 360 Width(in inches) 16 Max. Depth(in inches) 28 aggregate
mtl. Aggregate Depth Alternative product Std. 3/4" fill with 12"



Robert J. Wank



Palmetto Pointe
Lot # 27

KWM