



**PERMIT TO CONSTRUCT
Onsite Wastewater System**

File Nbr: **2019090022**
County: Saluda

Name: AMERICAN LAND HOLDINGS LLC

Program Code: 362

Type Facility: HOUSE

Address: 59 MIDDLETON DR
LUGOFF, SC 29078

System Code: 271

Subdivision: PALMETTO POINTE

Site: LOT 17

TM#:

Block: Lot: 17

, SC

Water Supply: PUBLIC

PERMIT TO CONSTRUCT SYSTEM SPECIFICATIONS

Daily Flow (gpd): 360

Tank Sizes (gal): Septic Tank: 1000

Pump Chamber: 1000

Grease Trap:

LTAR: .30

Trenches: Length (ft): 424

Width (in): 48

Max. Depth (in): 22

Agg. Depth (in): 9

Min Pump Capacity: 10

gpm at 15

ft. of Head

SPECIAL INSTRUCTIONS/CONDITIONS

THIS PERMIT IS SITE SPECIFIC. ANY CHANGES TO THE SYSTEM MUST BE APPROVED BY DHEC. ALTERNATIVE TRENCH PRODUCTS APPROVED UNDER STATE RULES AND REGULATIONS MAY BE SUBSTITUTED. ANY UNAPPROVED CHANGES WILL VOID THIS PERMIT.

See Attached Page...

PERMIT TO CONSTRUCT SYSTEM DIAGRAM

(NTS)

*system design by
Land Resource Management soil
classifier Walker Ferguson
828-231-1663
see attached supplemental
diagram*

Issued/Revised By: 

Date: 10/29/19



APPLICATION SUPPLEMENTAL FORM

Onsite Wastewater System

File Nbr: **2019090022**

County: Saluda

Name: AMERICAN LAND HOLDINGS LLC

Address:

Program Code: 362

Type Facility: HOUSE

59 MIDDLETON DR
LUGOFF, SC 29078

TM#:

Subdivision PALMETTO POINTE

Site: LOT 17
. SC

Water Supply: PUBLIC

Block: Lot: 17



LAND RESOURCE MANAGEMENT

Land Evaluation by Land Experts

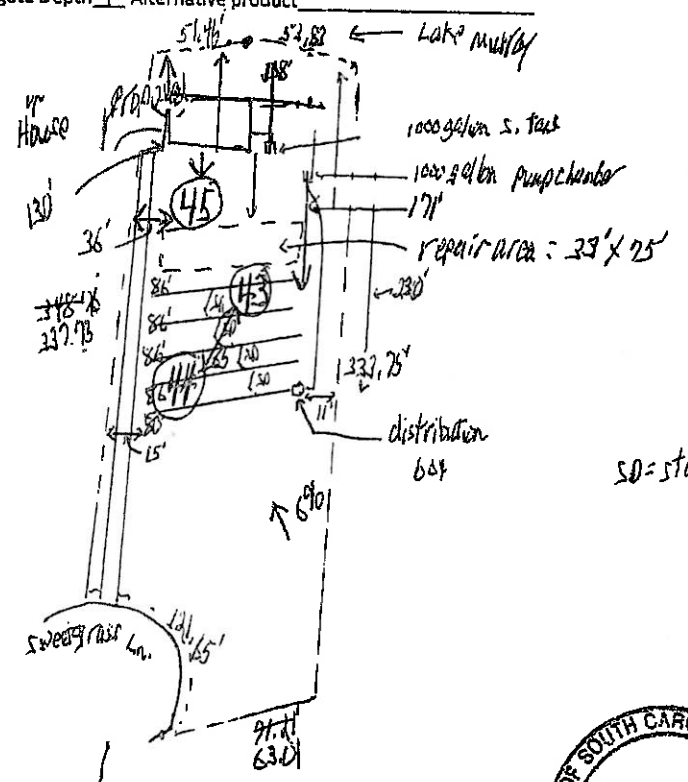
SYSTEM SPECIFICATIONS

Est. Daily Flow (in GPD) 360 LTAR 1.3 Tank Size (Gallons) 1000 Pump Chamber
Size (Gallons) 1000 Min. Pump Capacity gpm @ feet of head ZSS (in inches)

Water table encountered? Yes No ✓

Trenches

Total Number 5 Length (in feet) 474 Width (in inches) 48" Max. Depth (in inches) 24" aggregate
mtl. 1.26 Aggregate Depth 9" Alternative product



Palmetto Pointe
Lot # 17



Walker B. Ferguson

Kmm